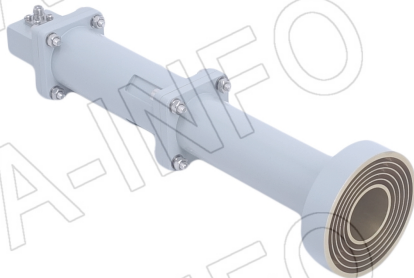


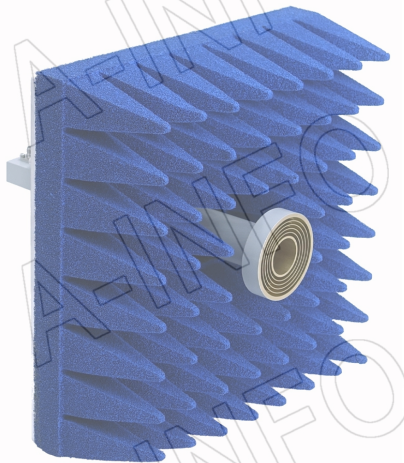
For reference only. See data sheet for the detailed specifications.

Technical Specification

LB-ACH-90-10-C-SF



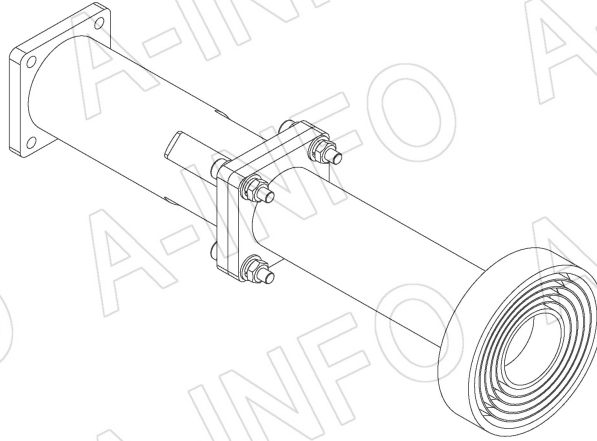
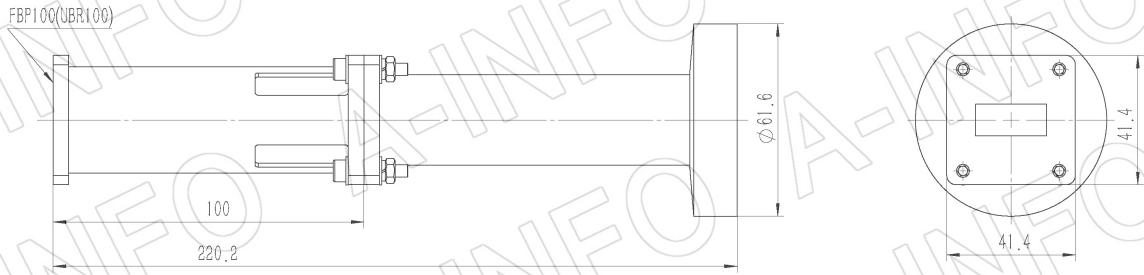
LB-ACH-90-10-C-SF-A1



Frequency Range(GHz)	8.2 – 12.4	
Waveguide	WR90	
Gain(dBi)	10 Typ.	
Polarization	Linear	
3dB Beamwidth(deg)	E Plane:	53 Typ.
	H Plane:	55 Typ.
10dB Beamwidth(deg)	E Plane:	99 Typ.
	H Plane:	102 Typ.
Cross Pol. Isolation(dB)	45 Typ.	
VSWR	A Type:	1.20:1 Typ.
	C Type:	1.40:1 Typ.
Output	A Type:	FBP100(UBR100) SMA-Female or N-Female or TNC-Female or 7mm or 3.5mm-Female
	C Type:	
Material	Al	
Finish	Chemical Conversion Coating, Gray Paint	
Size(mm)	A Type:	61.6 x 61.6 x 220.2
	C Type:	61.6 x 61.6 x 258.2
	A-A1:	266.4 x 266.4 x 220.2
	C-SF-A1:	266.4 x 266.4 x 258.2
Net Weight(Kg)	A Type:	0.32 Around
	C Type:	0.39 Around
	A-A1:	1.68 Around
	C-SF-A1:	1.74 Around

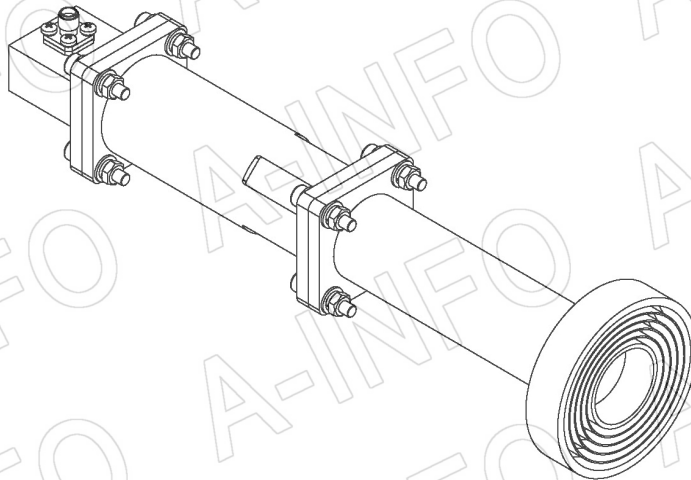
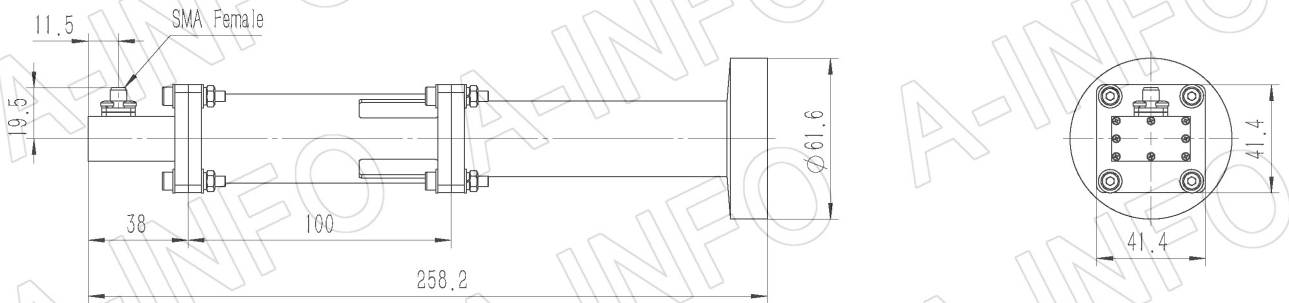
Outline Drawing (Size: mm)

FBP100 Output (P/N: LB-ACH-90-10-A)



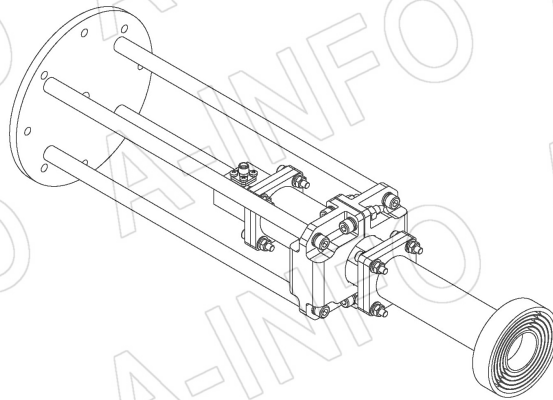
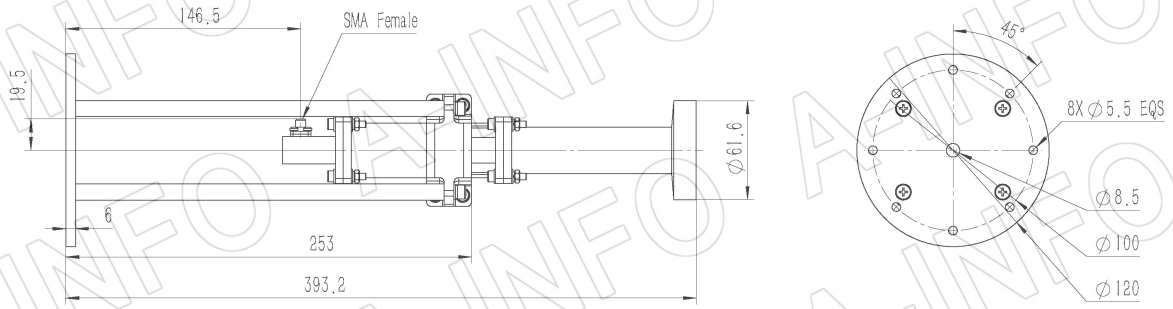
SMA-Female Output (P/N: LB-ACH-90-10-C-SF)

For N-Female, TNC- Female, 7mm or 3.5mm-Female output outline drawing, please contact A-INFO.



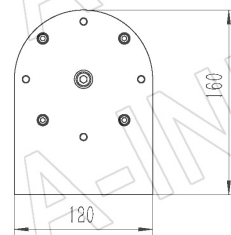
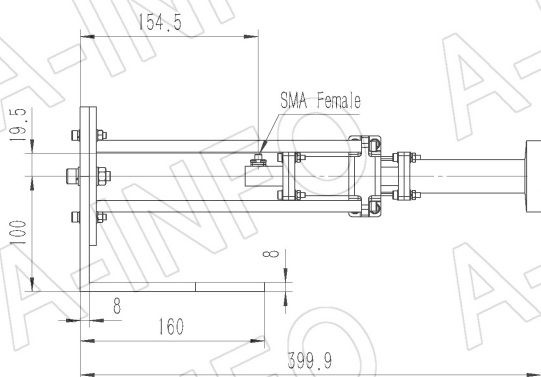
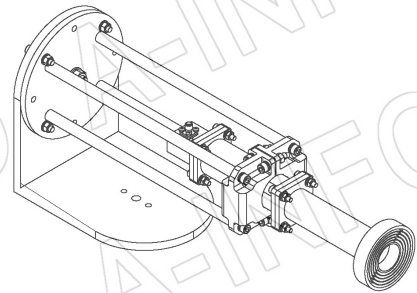
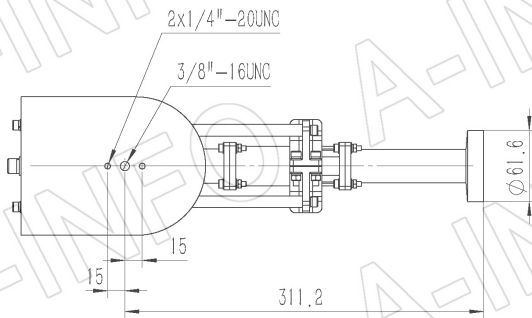
SMA-Female Output with Round Mounting Bracket (Option, P/N: LB-CNH-90-10-MB)

For N-Female, TNC- Female, 7mm or 3.5mm-Female output outline drawing, please contact A-INFO.

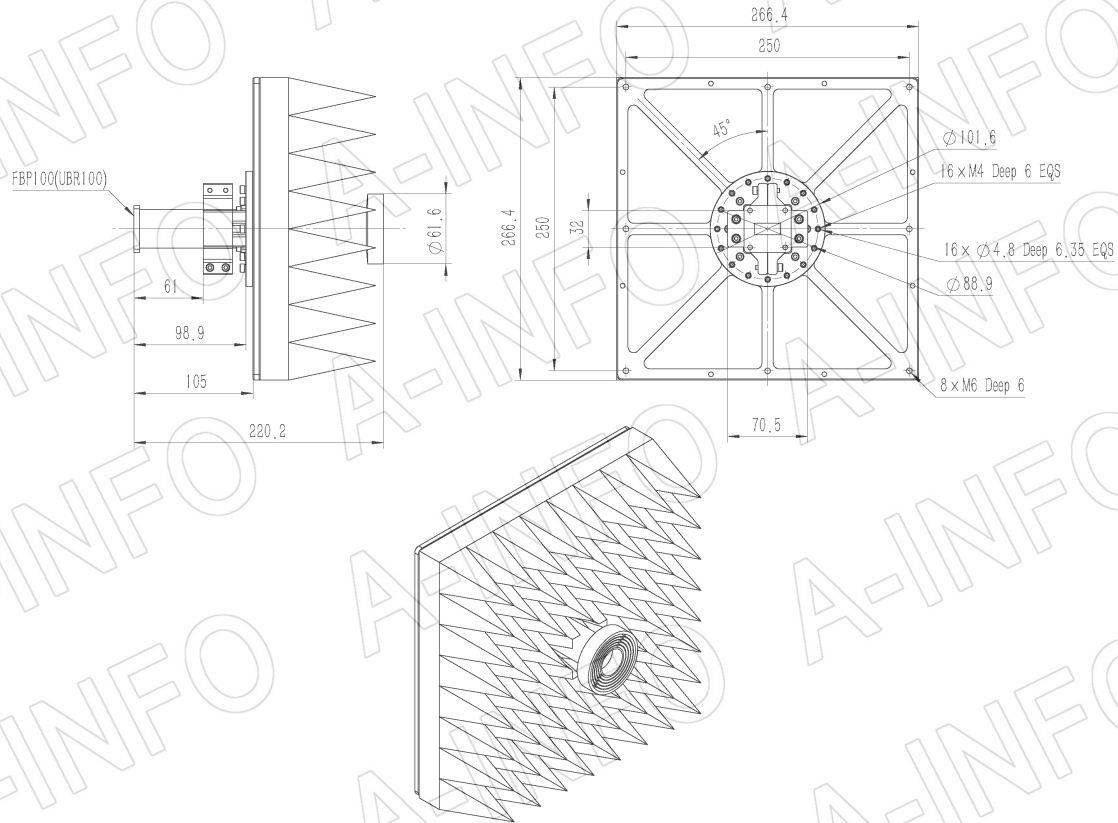


SMA-Female Output with L Type Mounting Bracket (Option, P/N: LB-CNH-90-10-MBL)

For N-Female, TNC- Female, 7mm or 3.5mm-Female output outline drawing, please contact A-INFO.

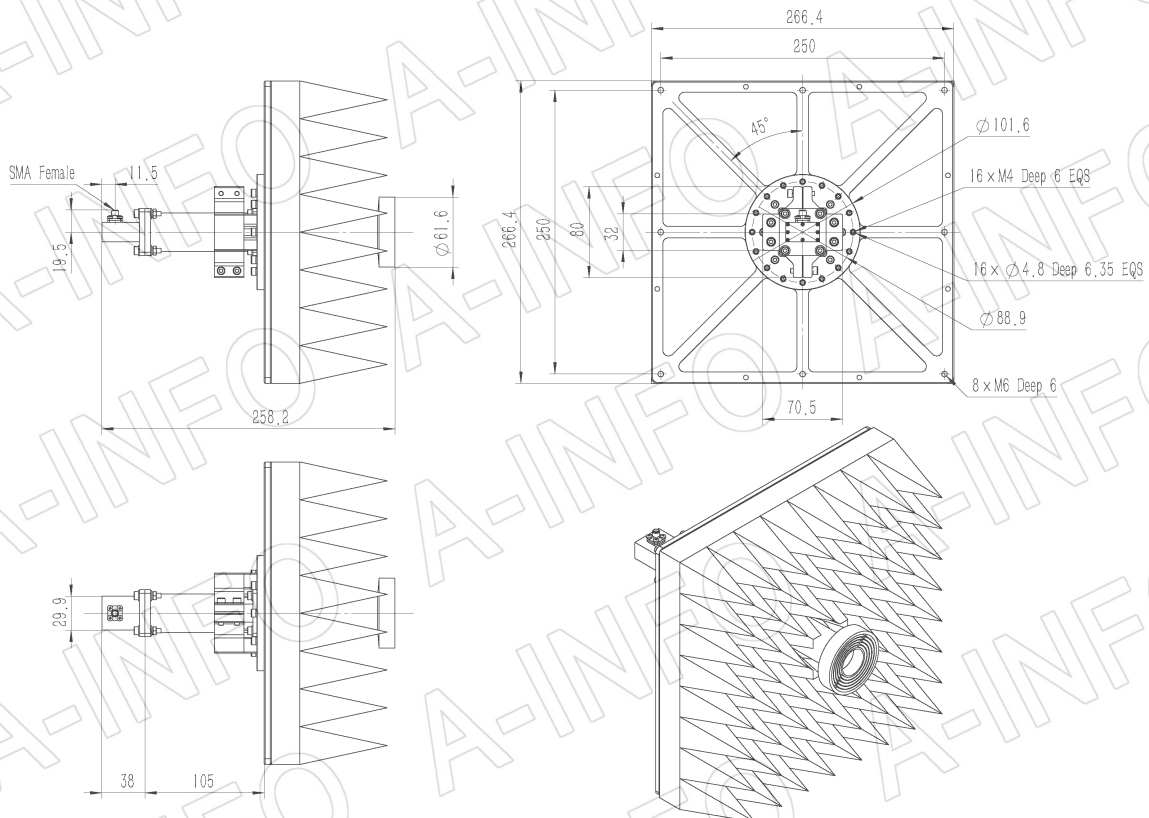


FBP100 Output, Equipped with Absorber (Option, P/N: LB-ACH-90-10-A-A1)



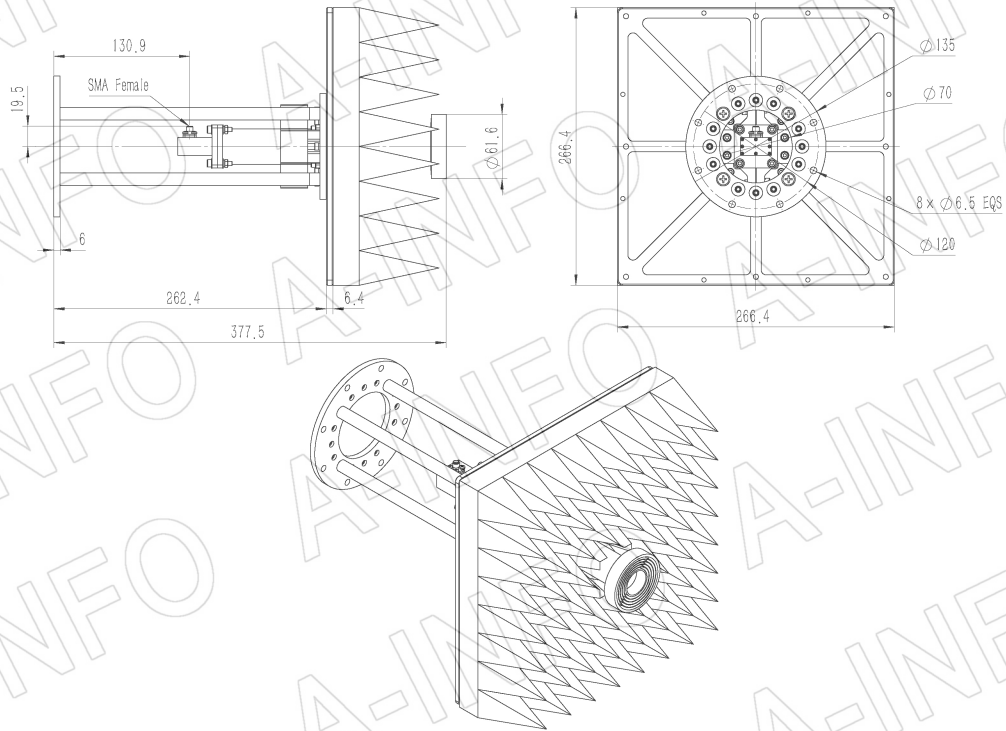
SMA-Female Output, Equipped with Absorber (Option, P/N: LB-ACH-90-10-C-SF-A1)

For N-Female, TNC- Female, 7mm or 3.5mm-Female output outline drawing, please contact A-INFO.



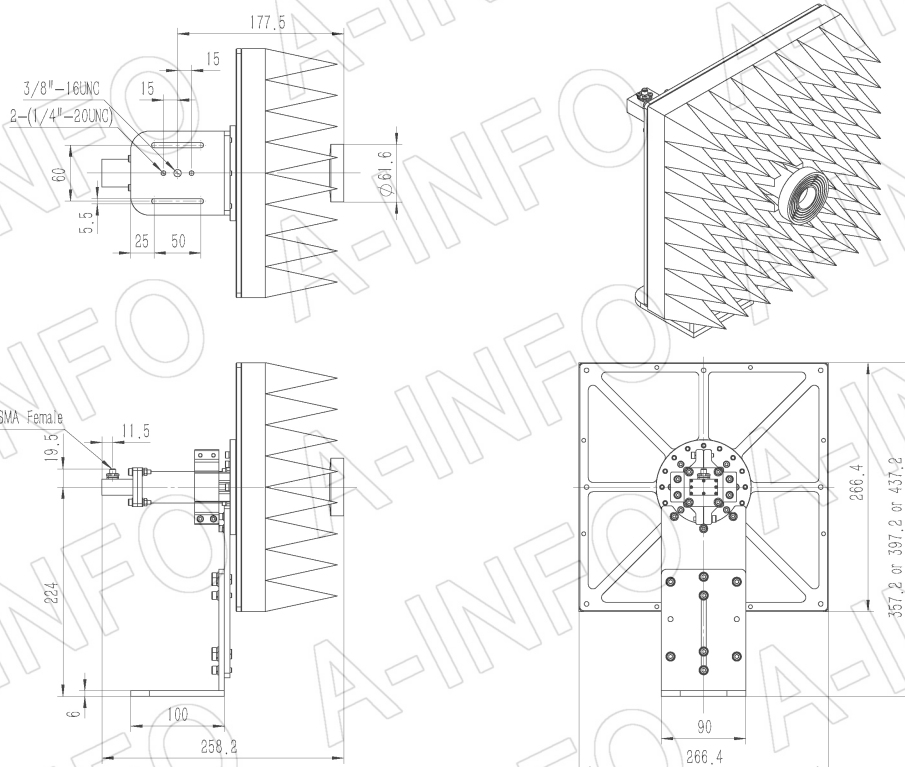
SMA-Female Output with Round Mounting Bracket & Equipped with Absorber (Option, P/N: EWG-MB40 & LB-ACH-90-10-C-SF-A1)

For N-Female, TNC- Female, 7mm or 3.5mm-Female output outline drawing, please contact A-INFO.

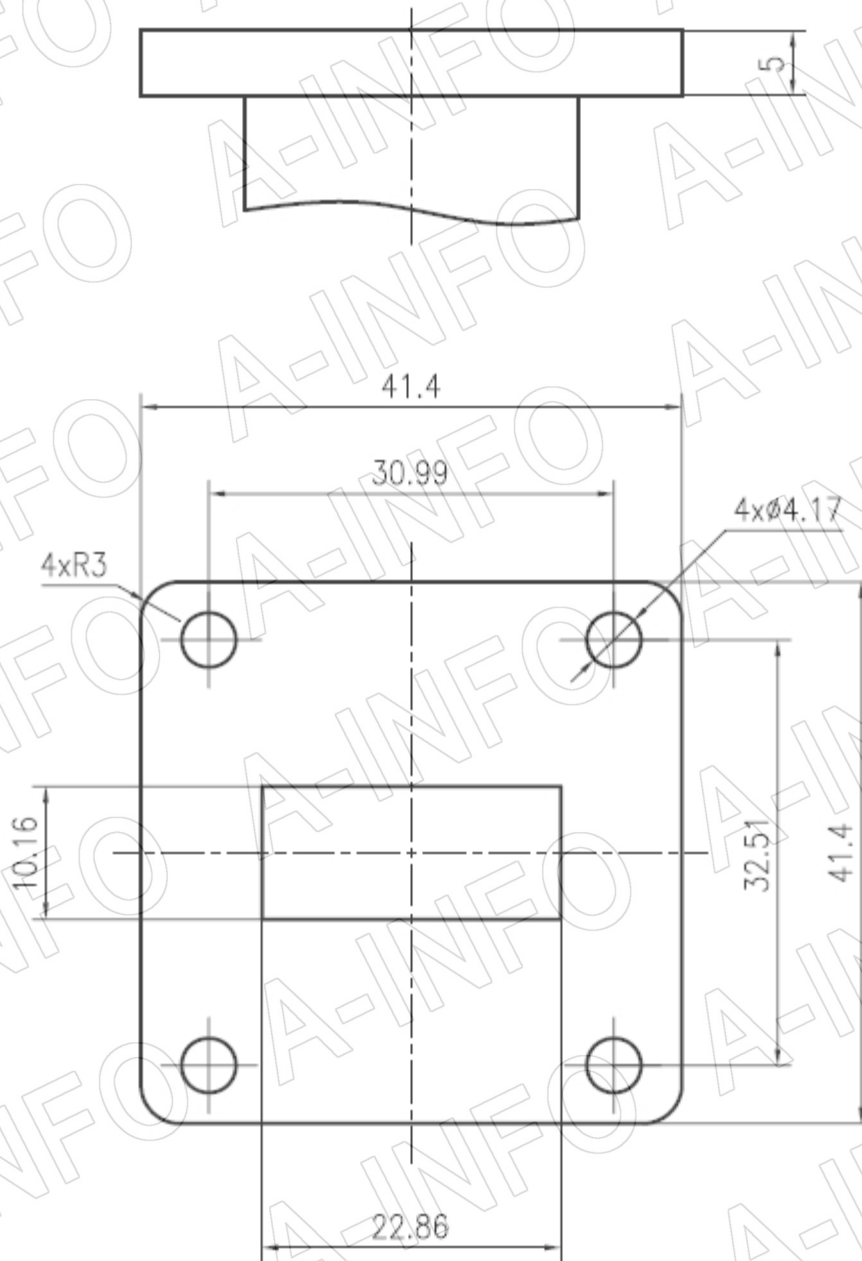


SMA-Female Output with L Type Mounting Bracket & Equipped with Absorber (Option, P/N: EWG-L40 & LB-ACH-90-10-C-SF-A1)

For N-Female, TNC- Female, 7mm or 3.5mm-Female output outline drawing, please contact A-INFO.



Flange Drawing (Size: mm)



FBP100

AINFO Inc.

China(Beijing): Tel: (+86) 10-6266-7326,
China(Chengdu): Tel: (+86) 28-8519-2786,
USA: Tel: (+1) 949-639-9688,

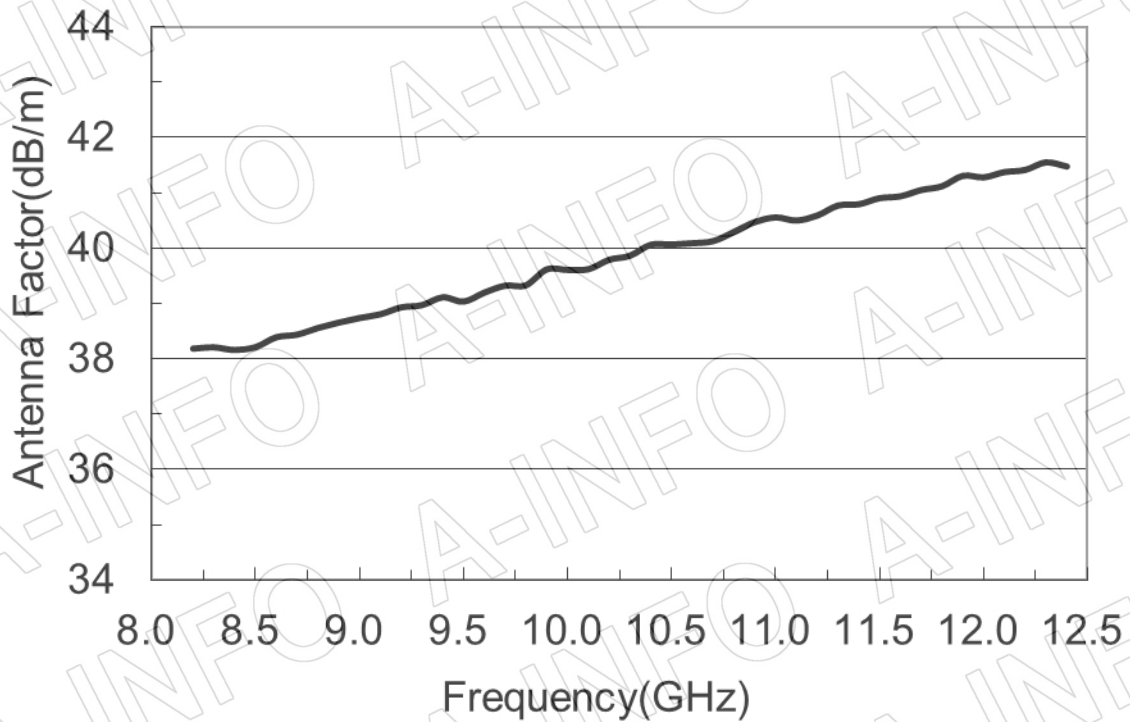
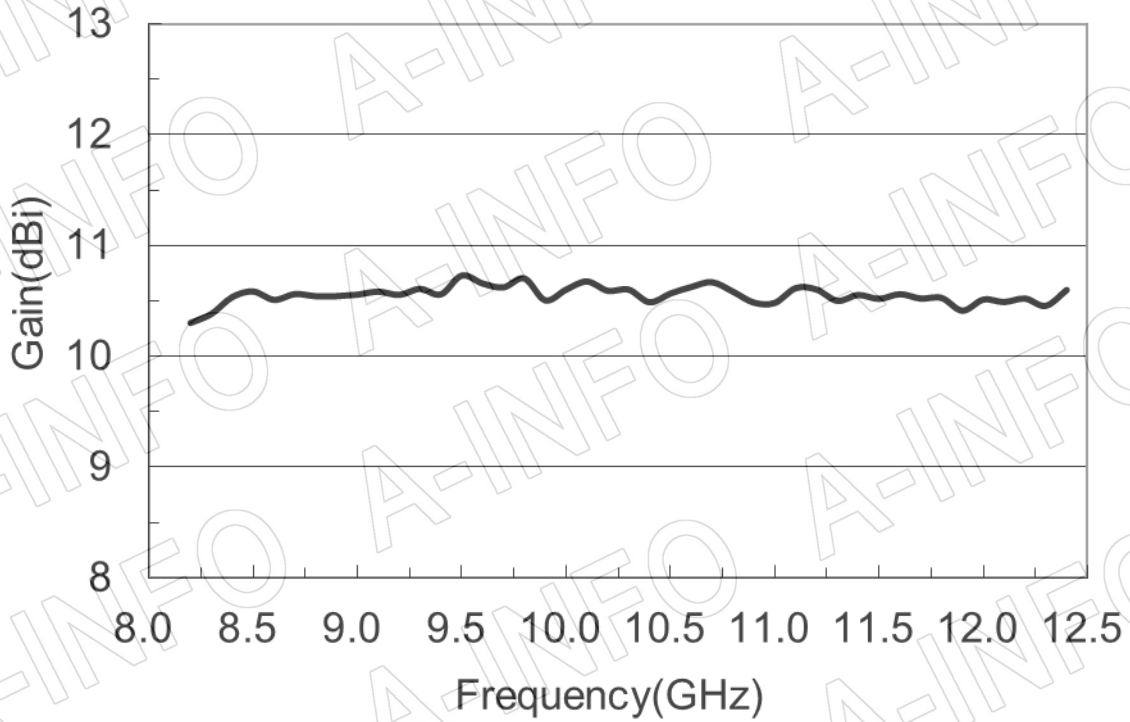
Page 6 of 11

(+86) 10-6266-7327 Fax: (+86) 10-6266-7379
(+86) 28-8519-3044 Fax: (+86) 28-8519-3068
(+1) 949-639-9608 Fax: (+1) 949-639-9670

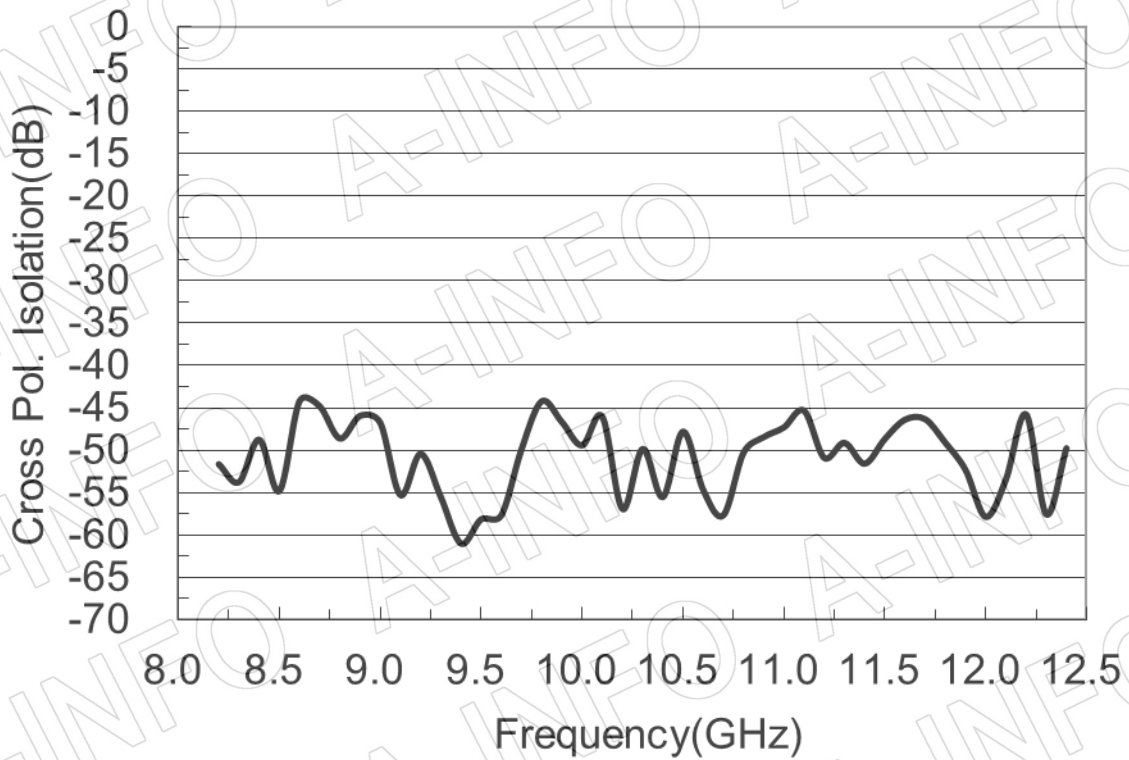
Website: www.ainfoinc.com
Email: sales@ainfoinc.com

Test Results

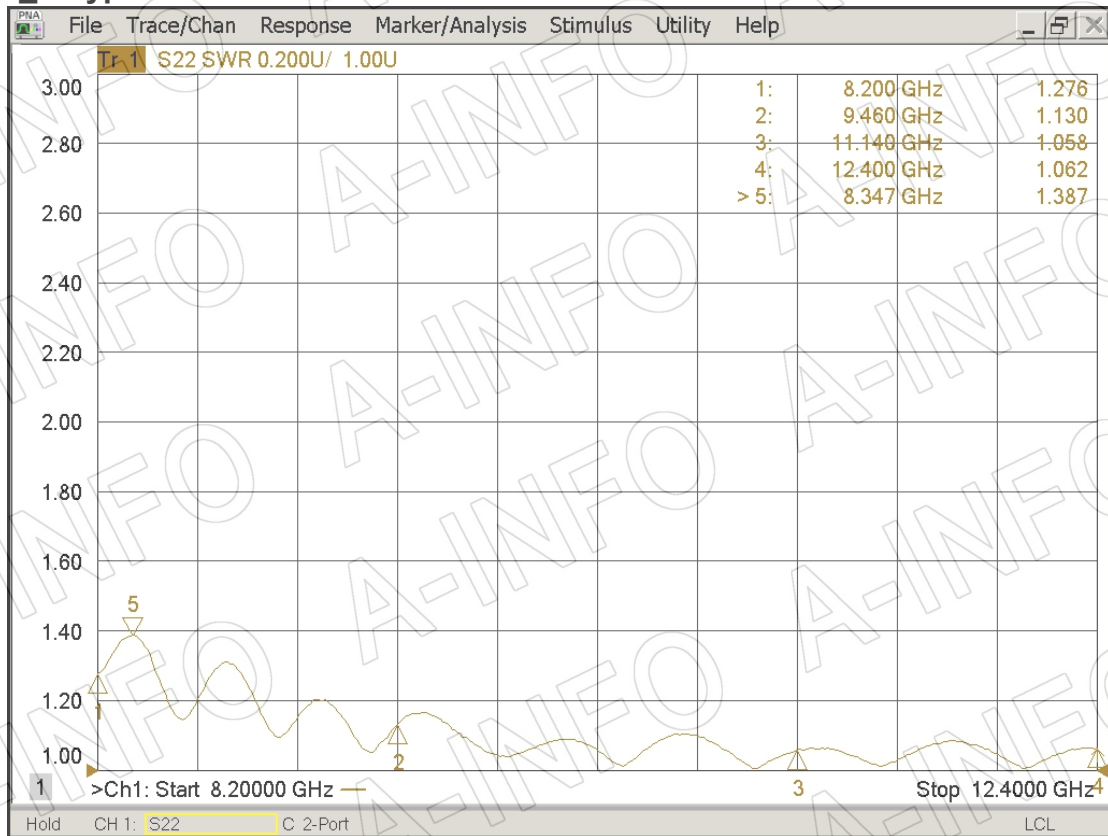
1. Gain & Antenna Factor



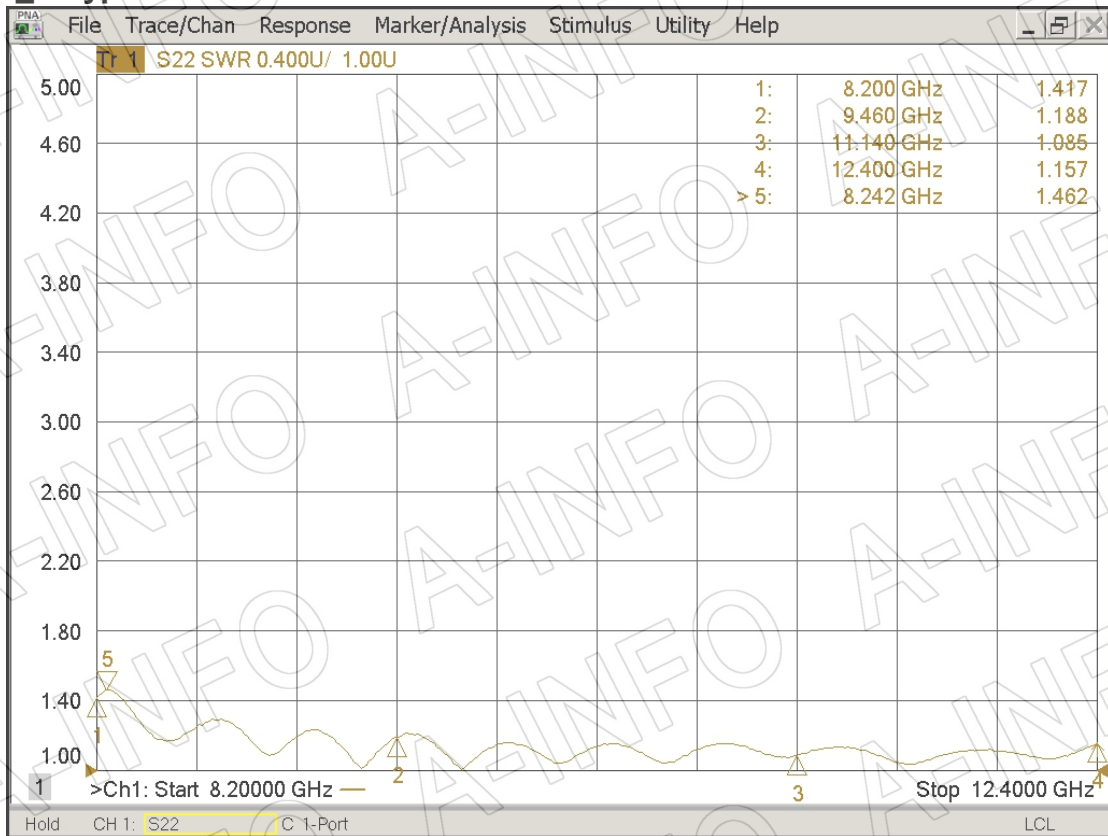
2. Cross Polarization Isolation



3. VSWR_A Type



VSWR_C Type



4. Pattern

